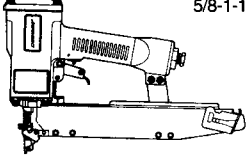
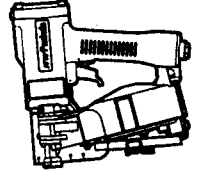
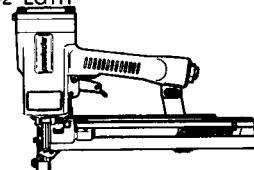
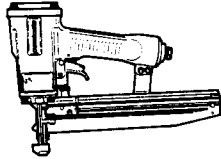
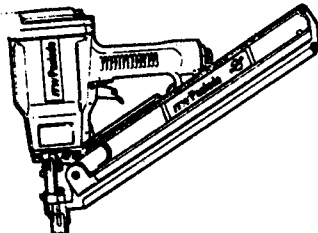
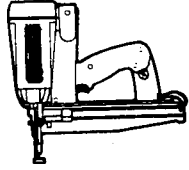
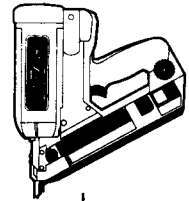
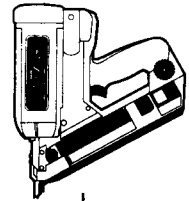


# AIR NAILERS

**ITW Paslode** (PAS696)

**S**

<p><b>3150-N18 (403220) 3150-W16R (402750)</b>  <b>AIR STAPLER CONSTRUCTION</b>                  3/16" NARROW CROWN                  1/2-1-1/2" LGTH                  18 GA.</p> 	<p><b>3175R (404000)</b>  <b>ROOFING COIL NAILER</b>                  7/8-1-3/4" COIL NAILS</p> 	<p><b>3200-S16 (403210)</b>  <b>AIR STAPLER-SHEATHING</b>                  1/2" STANDARD CROWN 16 GA.                  3/4-2" LGTH</p> 	<p><b>3250-F16 (403700)</b>  <b>AIR TRIM/FINISH NAILER</b>                  3/4-2-1/2" FINISH NAILS                  16 GA.</p> 
<p><b>5350PM (404910)</b>  <b>AIR CONSTRUCTION NAILER</b>                  2 - 3-1/2" NAILS                  CLIPPED HEAD                  (Similar to Hitachi NR83AA)</p> 	<p><b>IM-250SS TYPE II (900400)</b>  <b>IMPULSE AIR-LESS FINISH NAILER</b>                  3/4-2-1/2" FINISH NAILS                  FUEL CELL NOT INC.                  16 GA.</p>  <p>#402500 BATTERY                  #404479 FUEL CELL (Yellow)</p>	<p><b>IM-325CT (404400)</b>  <b>IMPULSE AIR-LESS "COMPACT" NAILER</b>                  2-3-1/2" NAILS                  CLIPPED HEAD                  FUEL CELL NOT INC                  16 LBS</p>  <p>#404717 BAT.                  #401301 FUEL CELL (RED)</p>	<p><b>IM-325SS LQ (404600)</b>  <b>IMPULSE AIR-LESS FRAMING NAILER</b>                  2-3-1/4" STRIP NAILS                  CLIPPED HEAD                  Solid State                  FUEL CELL NOT INC</p>  <p>#402500 BAT.</p>

IMPULSE NAILERS COME w/ TOOL, CASE, BATTERY, CHARGER, & SAFETY GLASSES. FUEL CELL NOT INCLUDED!

**PORTER+CABLE PNEUMATIC TOOLS**



**BN125**



**BN200**



**DA250A**



**FN250A**



**THE WOODWORKER'S CHOICE**



**CF1400**



**CF1540**



**CF2400**

**AIR TOOLS** **D**

**BN125** Air Brad Nailer Kit, 18 Gg., Brad Nails 5/8" - 1-1/4"

**BN200** Air Brad Nailer Kit, 18 Ga., Brad Nails, 3/4" - 2"

**CDA250** Clds Finish Nailer 15 Ga.

**CF1400** Port. Air Comp., 90PSI, 4 Gal., Pancake, Oil-Free, 1HP

**CF1540** Port. Air Comp., 90PSI, 4 Gal., Side-Stack Tanks, Oil-Free, 3.3 SCFM @ 90PSI, 1-1/2HP

**CF2400** Port. Air Comp., 90PSI, 4 Gal., Side-Stack Tanks, Oil-Free, 6.1 SCFM @ 90PSI, 2HP

**CFN250** Clds Finish Nailer 16 Ga.

**DA250A** Air Angle Nailer Kit, 15 Ga., Fin. Nails, 1-1/4" - 2-1/2"

**FC350** Framing Nailer, Clipped head, 32°-34° paper-Col., .113"X2" -.13 X3-1/2"

**FN250A** Air Finish Nailer Kit, 16 Ga., Finish Nails, 1" - 2-1/2"

**FR350** Framing Nailer, Round head, 32°-34° paper-Col., .113"X2" -.13 X3-1/2"

**MS200** Air 1" Med Crown Stapler Kit, Accepts 7/16" Crown Staples, 1" - 2"

**NS100** Air 1" Narrow Crown Stapler Kit, Accepts 1/4" Crown Staples, 1/2" - 1"

**6020** Fuel Cells f/ CDA250/CFN250

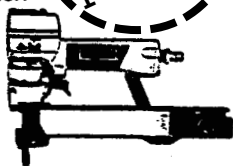


**HITACHI AIR**

**CALL FOR  
CURRENT  
PRICING**

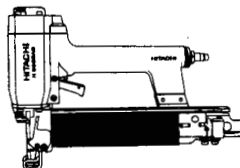
**N3804AB**

**AIR STAPLER  
NARROW CROWN, FINISH  
(3.51MM) 18 GA.  
1/2—1-1/2" STAPLES**



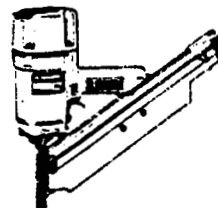
**N5008AB**

**AIR STAPLER  
STANDARD CROWN  
16 GAUGE  
1-2"**



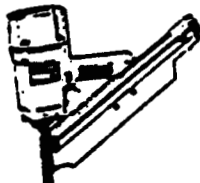
**NR83A (FRAMING GUN)**

**STRIP NAILER  
ROUND HEAD 20°  
PLASTIC COLLATION  
2-3-1/2 x .113/.120/.131  
NAILS**



**NR83AA (FRAMING GUN)**

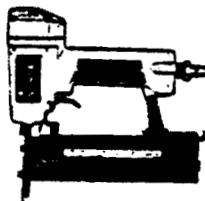
**AIR STRIP NAILER  
CLIPPED-HEAD CONSTRUCTION  
PAPER COLLATION 34°  
2—3-1/2" NAILS x .113/.120/.131**



**NT45A-LQD**

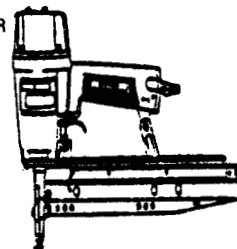
**18 GAUGE FINISH NAILER  
5/8"—1-3/4" NAILS**

**SUPPLIES  
LIMITED**



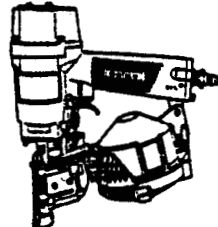
**NT65A**

**AIR FINISH NAILER  
16 GA. BRAD NAILER  
1" - 2-1/2" NAILS**



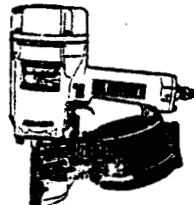
**NV45AB**

**AIR ROOFING COIL NAILER  
WIRE COLLATION  
7/8—1-3/4" NAILS**



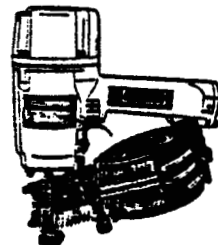
**NV65AC**

**PALLET COIL NAILER  
(WIRE COLLATION)  
1-3/4"—2-1/2" X .099/.113**



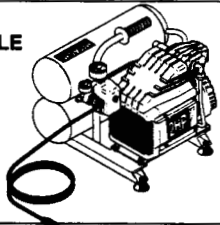
**VH650-LQ**

**COIL NAILER  
(PLASTIC COLLATION)  
1-1/2"—2-1/2" x  
.083/.099**



**EC12**

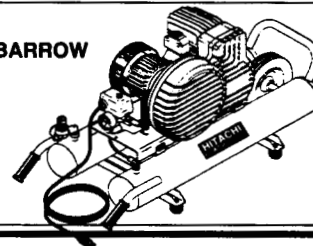
**AIR COMPRESSOR - PORTABLE  
2 HP—90/125 PSI - 3.6 CFM  
HAND CARRY  
TWIN TANK  
w/ LINE REGULATOR**



15 AMP  
60#

**EC16**

**AIR COMPRESSOR - WHEELBARROW  
2-1/2 HP—90/125 PSI - 4.7 CFM  
w/ CONTROLLED COOLING SYSTEM  
TWIN TANK  
w/ LINE REGULATOR**



15 AMP  
121#

**Emalo**  
Products Corporation

**AM78-HC4V (V)**

**AIRMATE AIR COMPRESSOR  
1-1/2 HP—125 PSI, 115V—HAND CARRY  
(V) VERTICAL TANK**

60#

**INCLUDES  
PRESSURE  
REGULATOR**

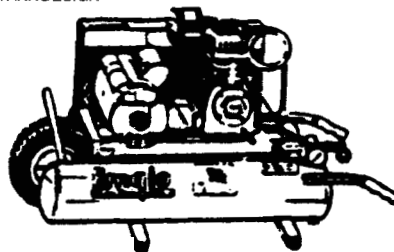


**K15A-8P**

**EMGLO AIR COMPRESSOR  
125PSI  
1-1/2 HP ELEC.  
PORTABLE  
\*8" LOW PROFILE  
TANK DESIGN**

175#

**INCLUDES  
PRESSURE  
REGULATOR**



**K5HGA-8P**

**EMGLO AIR COMPRESSOR  
125PSI  
5 HP GAS HONDA ENGINE  
PORTABLE  
ON-OFF SWITCH**

**INCLUDES  
PRESSURE  
REGULATOR**

175#

